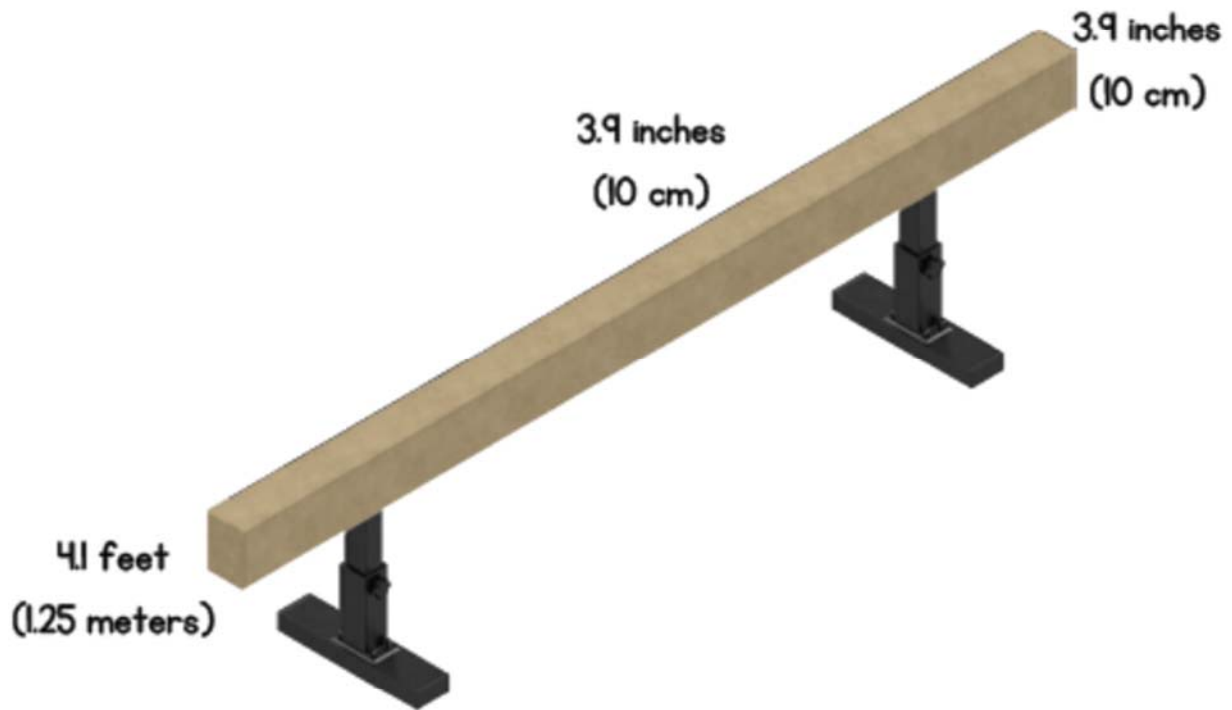


Name \_\_\_\_\_

# Gymnastics Vocabulary

Write the missing letters.



\_\_\_\_\_

-----

\_\_\_\_\_



\_\_\_\_\_

-----

\_\_\_\_\_



\_\_\_\_\_

-----

\_\_\_\_\_