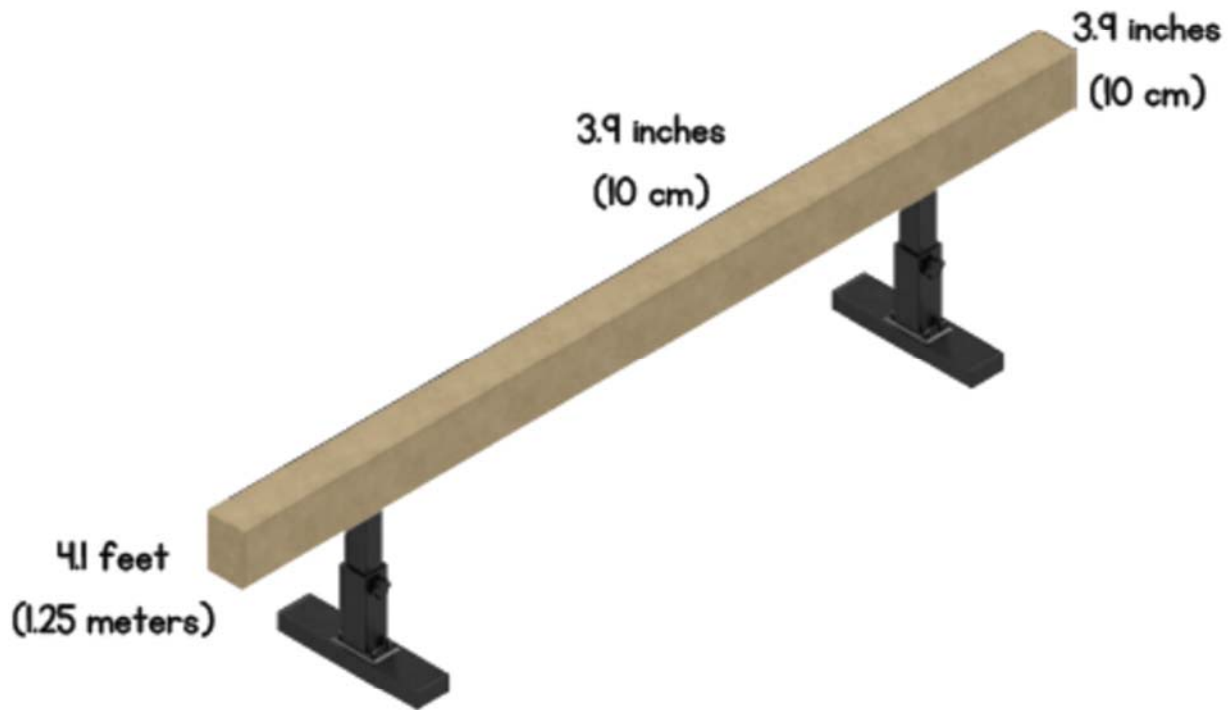


Name _____

Gymnastics Vocabulary

Write the missing letters.



ring



pose



split
