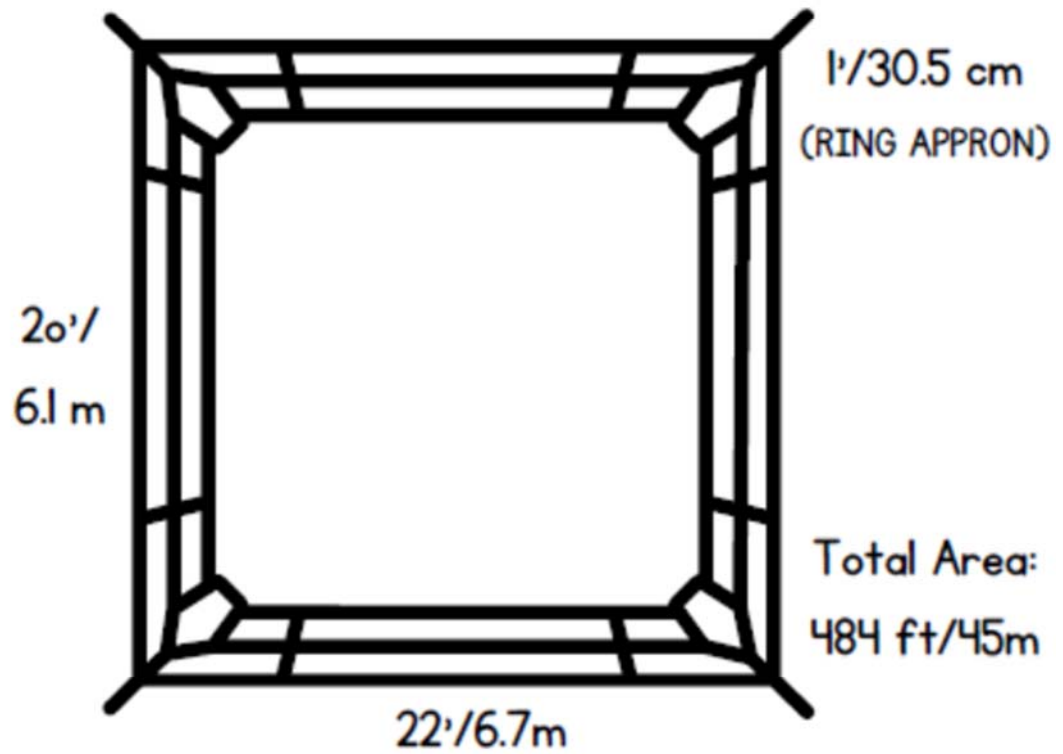


Name _____

Wrestling Vocabulary

Write the missing letters.



ring



tilt



singlet